

SCIENTIFIC REPORTS



OPEN

Far-UVC light: A new tool to control the spread of airborne-mediated microbial diseases

David Welch, Manuela Buonanno, Veljko Grilj, Igor Shuryak, Connor Crickmore, Alan W. Bigelow, Gerhard Randers-Pehrson, Gary W. Johnson & David J. Brenner

Airborne-mediated microbial diseases such as influenza and tuberculosis represent major public health challenges. A direct approach to prevent airborne transmission is inactivation of airborne pathogens, and the airborne antimicrobial potential of UVC ultraviolet light has long been established; however, its widespread use in public settings is limited because conventional UVC light sources are both carcinogenic and cataractogenic. By contrast, we have previously shown that far-UVC light (207–222 nm) efficiently inactivates bacteria without harm to exposed mammalian skin. This is because, due to its strong absorbance in biological materials, far-UVC light cannot penetrate even the outer (non living) layers of human skin or eye; however, because bacteria and viruses are of micrometer or smaller dimensions, far-UVC can penetrate and inactivate them. We show for the first time that far-UVC efficiently inactivates airborne aerosolized viruses, with a very low dose of 2 mJ/cm² of 222-nm light inactivating >95% of aerosolized H1N1 influenza virus. Continuous very low dose-rate far-UVC light in indoor public locations is a promising, safe and inexpensive tool to reduce the spread of airborne-mediated microbial diseases.

Airborne-mediated microbial diseases represent one of the major challenges to worldwide public health¹. Common examples are influenza², appearing in seasonal³ and pandemic⁴ forms, and bacterially-based airborne-mediated diseases such as tuberculosis⁵, increasingly emerging in multi-drug resistant form.

A direct approach to prevent the transmission of airborne-mediated disease is inactivation of the corresponding airborne pathogens, and in fact the airborne antimicrobial efficacy of ultraviolet (UV) light has long been established^{6–8}. Germicidal UV light can also efficiently inactivate both drug-sensitive and multi-drug-resistant bacteria⁹, as well as differing strains of viruses¹⁰. However, the widespread use of germicidal ultraviolet light in public settings has been very limited because conventional UVC light sources are a human health hazard, being both carcinogenic and cataractogenic^{11,12}.

By contrast, we have earlier shown that far-UVC light generated by filtered excimer lamps emitting in the 207 to 222 nm wavelength range, efficiently inactivates drug-resistant bacteria, without apparent harm to exposed mammalian skin^{13–15}. The biophysical reason is that, due to its strong absorbance in biological materials, far-UVC light does not have sufficient range to penetrate through even the outer layer (stratum corneum) on the surface of human skin, nor the outer tear layer on the outer surface of the eye, neither of which contain living cells; however, because bacteria and viruses are typically of micron or smaller dimensions, far-UVC light can still efficiently traverse and inactivate them^{13–15}.

The earlier studies on the germicidal efficacy of far UVC light^{13,15–18} were performed exposing bacteria irradiated on a surface or in suspension. In that a major pathway for the spread of influenza A is aerosol transmission³, we investigate for the first time the efficacy of far-UVC 222-nm light for inactivating airborne viruses carried by aerosols – with the goal of providing a potentially safe alternative to conventional 254-nm germicidal lamps to inactivate airborne microbes.

Results

Virus inactivation. Figure 1 shows representative fluorescent 40× images of mammalian epithelial cells incubated with airborne viruses that had been exposed in aerosolized form to far-UVC doses (0, 0.8, 1.3 or 2.0 mJ/cm²) generated by filtered 222-nm excimer lamps. Blue fluorescence was used to identify the total number of

Center for Radiological Research, Columbia University Medical Center, New York, New York, 10032, USA. Correspondence and requests for materials should be addressed to D.W. (email: dw2600@cumc.columbia.edu)

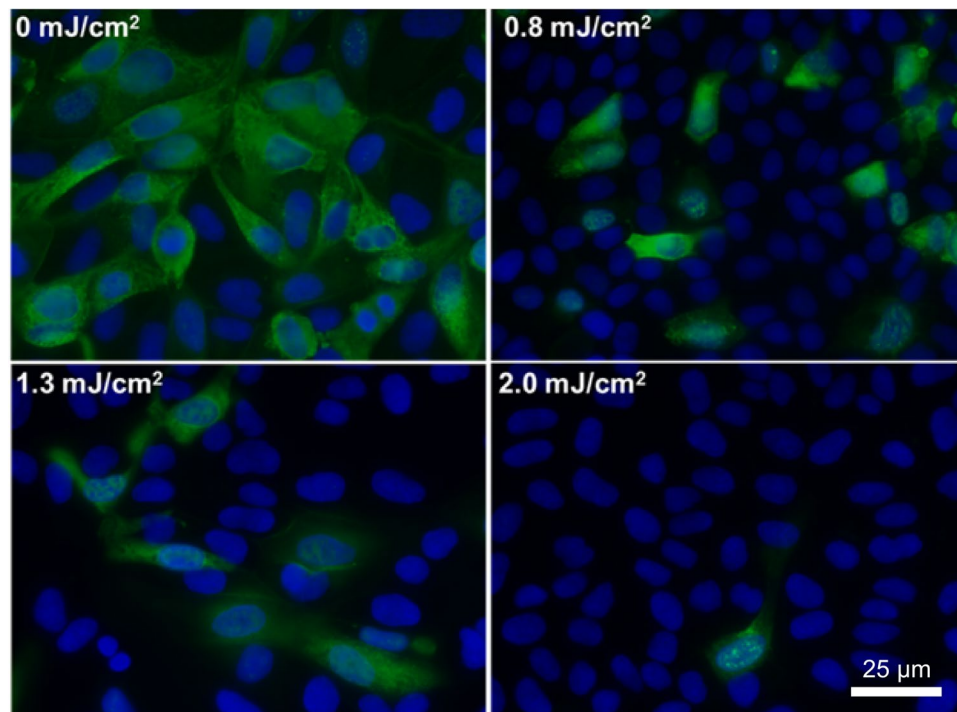


Figure 1. Antiviral efficacy of different low doses of 222-nm far-UVC light. Typical fluorescent images of MDCK epithelial cells infected with influenza A virus (H1N1). The viruses were exposed in aerosolized form in the irradiation chamber to doses of 0, 0.8, 1.3 or 2.0 mJ/cm² of 222-nm far-UVC light. Infected cells fluoresce green (blue = nuclear stain DAPI; green = Alexa Fluor-488 conjugated to anti-influenza A antibody). Images were acquired with a 40× objective.

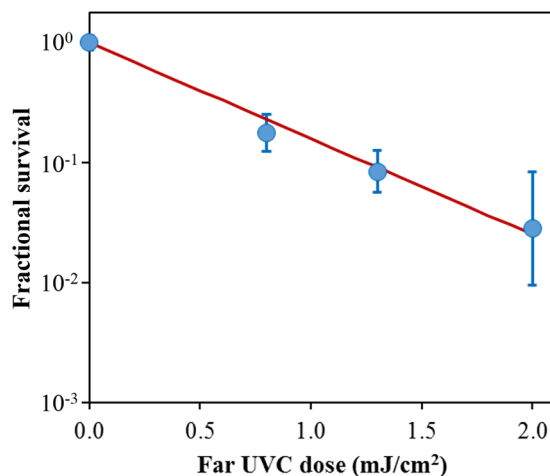


Figure 2. Quantification of the antiviral efficacy of 222-nm far-UVC light. Fractional survival, $FFU_{UV}/FFU_{controls}$, is plotted as a function of the 222-nm far-UVC dose. Means and standard deviations refer to triplicate repeat studies and the line represents the best-fit regression to Eqn 1 (see text).

cells in a particular field of view, while green fluorescence indicated the integration of live influenza A (H1N1) viruses into the cells. Results from the zero-dose control studies (Fig. 1, top left) confirmed that the aerosol irradiation chamber efficiently transmitted the aerosolized viruses through the system, after which the live virus efficiently infected the test mammalian epithelial cells.

Figure 2 shows the surviving fraction, as a function of the incident 222-nm far-UVC dose, of exposed H1N1 aerosolized viruses, as measured by the number of focus forming units in incubated epithelial cells relative to unexposed controls. Linear regressions (see below) showed that the survival results were consistent with a classical exponential UV disinfection model with rate constant $k = 1.8 \text{ cm}^2/\text{mJ}$ (95% confidence intervals 1.5–2.1 cm²/mJ). The overall model fit was good, with a coefficient of determination, $R^2 = 0.95$, which suggests that most of the

variability in virus survival was explained by the exponential model. The rate constant of $1.8 \text{ cm}^2/\text{mJ}$ corresponds to an inactivation cross-section (dose required to inactivate 95% of the exposed viruses) of $D_{95} = 1.6 \text{ mJ}/\text{cm}^2$ (95% confidence intervals 1.4–1.9 mJ/cm^2).

Discussion

We have developed an approach to UV-based sterilization using single-wavelength far-UVC light generated by filtered excilamps, which selectively inactivate microorganisms, but does not produce biological damage to exposed mammalian cells and tissues^{13–15}. The approach is based on biophysical principles in that far-UVC light can traverse and therefore inactivate bacteria and viruses which are typically micrometer dimensions or smaller, whereas due to its strong absorbance in biological materials, far-UVC light cannot penetrate even the outer dead-cell layers of human skin, nor the outer tear layer on the surface of the eye.

Here we applied this approach to test the efficacy of the 222-nm far-UVC light to inactivate influenza A virus (H1N1) carried by aerosols in a benchtop aerosol UV irradiation chamber, which generated aerosol droplets of sizes similar to those generated by human coughing and breathing. Aerosolized viruses flowing through the irradiation chamber were exposed to UVC emitting lamps placed in front of the chamber window.

As shown in Fig. 2, inactivation of influenza A virus (H1N1) by 222-nm far-UVC light follows a typical exponential disinfection model, with an inactivation cross-section of $D_{95} = 1.6 \text{ mJ}/\text{cm}^2$ (95% CI: 1.4–1.9). For comparison, using a similar experimental arrangement, but using a conventional 254 nm germicidal UVC lamp, McDevitt *et al.*¹⁹ found a D_{95} value of $1.1 \text{ mJ}/\text{cm}^2$ (95% CI: 1.0–1.2) for H1N1 virus. Thus as we^{13,15} and others^{16–18} reported in earlier studies for bacterial inactivation, 222-nm far-UVC light and 254-nm broad-spectrum germicidal light are also comparable in their efficiencies for aerosolized viral inactivation. Other recent work comparing viral inactivation across the UVC spectrum has shown variations in efficiency are expected, but in general both regions of the spectrum are effective in inactivation, though the precise cause of inactivation may differ^{20,21}. However as discussed above, based on biophysical considerations and in contrast to the known human health safety issues associated with conventional germicidal 254-nm broad-spectrum UVC light, far-UVC light does not appear to be cytotoxic to exposed human cells and tissues *in vitro* or *in vivo*^{13–15}.

If these results are confirmed in other scenarios, it follows that the use of overhead low-level far-UVC light in public locations may represent a safe and efficient methodology for limiting the transmission and spread of airborne-mediated microbial diseases such as influenza and tuberculosis. In fact the potential use of ultraviolet light for airborne disinfection is by no means new, and was first demonstrated more than 80 years ago^{8,22}. As applied more recently, airborne ultraviolet germicidal irradiation (UVGI) utilizes conventional germicidal UVC light in the upper part of the room, with louvers to prevent direct exposure of potentially occupied room areas²³. This results in blocking more than 95% of the UV radiation exiting the UVGI fixture, with substantial decrease in effectiveness²⁴. By contrast, use of low-level far-UVC fixtures, which are potentially safe for human exposure, could provide the desired antimicrobial benefits without the accompanying human health concerns of conventional germicidal lamp UVGI.

A key advantage of the UVC based approach, which is in clear contrast to vaccination approaches, is that UVC light is likely to be effective against all airborne microbes. For example, while there will almost certainly be variations in UVC inactivation efficiency as different influenza strains appear, they are unlikely to be large^{7,10}. Likewise, as multi-drug-resistant variants of bacteria emerge, their UVC inactivation efficiencies are also unlikely to change greatly⁹.

In conclusion, we have shown for the first time that very low doses of far-UVC light efficiently inactivate airborne viruses carried by aerosols. For example, a very low dose of $2 \text{ mJ}/\text{cm}^2$ of 222-nm light inactivates >95% of airborne H1N1 virus. Our results indicate that far-UVC light is a powerful and inexpensive approach for prevention and reduction of airborne viral infections without the human health hazards inherent with conventional germicidal UVC lamps. If these results are confirmed in other scenarios, it follows that the use of overhead very low level far-UVC light in public locations may represent a safe and efficient methodology for limiting the transmission and spread of airborne-mediated microbial diseases. Public locations such as hospitals, doctors' offices, schools, airports and airplanes might be considered here. This approach may help limit seasonal influenza epidemics, transmission of tuberculosis, as well as major pandemics.

Methods

Far-UVC lamps. We used a bank of three excimer lamps containing a Kr-Cl gas mixture that predominantly emits at 222 nm^{25,26}. The exit window of each lamp was covered with a custom bandpass filter designed to remove all but the dominant emission wavelength as previously described¹⁵. Each bandpass filter (Omega Optical, Brattleboro, VT) had a center wavelength of 222 nm and a full width at half maximum (FWHM) of 25 nm and enables >20% transmission at 222 nm. A UV spectrometer (SPM-002-BT64, Photon Control, BC, Canada) with a sensitivity range between 190 nm and 400 nm was utilized to verify the 222 nm emission spectrum. A deuterium lamp standard with a NIST-traceable spectral irradiance (Newport Model 63945, Irvine, CA) was used to radiometrically calibrate the UV spectrometer. An SM-70 Ozone Monitor (Aeroqual, Avondale, Auckland, New Zealand) measured the ozone generation from the lamps to be <0.005 ppm, which is not a significant level to provide an antimicrobial effect to aerosolized viruses²⁷.

Far-UVC dosimetry. Optical power measurements were performed using an 818-UV/DB low-power UV enhanced silicon photodetector with an 843-R optical power meter (Newport, Irvine, CA). Additional dosimetry to determine the uniformity of the UV exposure was performed using far-UVC sensitive film as described in our previous work^{28,29}. This film has a high spatial resolution with the ability to resolve features to at least 25 μm , and exhibits a nearly ideal cosine response^{30,31}. Measurements were taken between experiments therefore allowing placement of sensors inside the chamber.

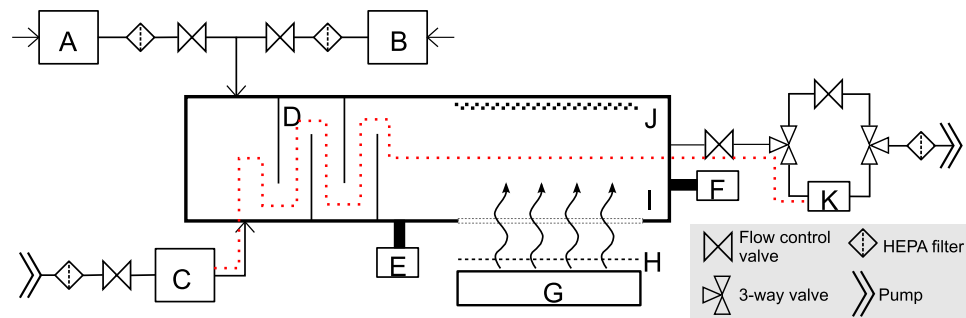


Figure 3. Schematic diagram of the custom UV irradiation chamber. The chamber is depicted in a top down view. Components of the setup include: water bubbler for humidified air input (A), a desiccator for dry air input (B), a nebulizer (C), baffles (D), an RH and temperature meter (E), a particle sizer (F), far-UVC lamps (G), band pass filters (H), a far-UVC transmitting plastic window (I), a reflective aluminum surface (J), and a BioSampler (K). Pumps are used to pressurize the nebulizer for aerosol generation and to control flow through the system. Flow control valves allow adjustments through the system. HEPA filters are included on all air inputs and outputs. A set of three way valves controls flow to or around the BioSampler. The vertically stacked lamps are directed at the window in the side of the chamber to expose the aerosols passing horizontally. The additional films to uniformly decrease the dose were placed between the filters and the window. The path of the aerosolized virus within the system during sampling is indicated with the red dotted line.

A range of far-UVC exposures, from $3.6 \mu\text{J}/\text{cm}^2$ up to $281.6 \text{ mJ}/\text{cm}^2$, were used to define a response calibration curve. Films were scanned as 48 bit RGB TIFF images at 150 dpi using an Epson Perfection V700 Photo flatbed scanner (Epson, Japan) and analyzed with radiochromic film analysis software³² to calculate the total exposure based on measured changes in optical density.

Measurements using both a silicon detector and UV sensitive films were combined to compute the total dose received by a particle traversing the exposure window. The three vertically stacked lamps produced a nearly uniform dose distribution along the vertical axis thus every particle passing horizontally through the irradiation chamber received an identical dose. The lamp width (100 mm) was smaller than the width of the irradiation chamber window (260 mm) so the lamp power was higher near the center of the irradiation chamber window compared to the edge. The UV sensitive film indicated a power of approximately $120 \mu\text{W}/\text{cm}^2$ in the center third of the window and $70 \mu\text{W}/\text{cm}^2$ for the outer thirds. The silicon detector was used to quantify the reflectivity of the aluminum sheet at approximately 15% of the incident power. Combining this data allowed the calculation of the average total dose of $2.0 \text{ mJ}/\text{cm}^2$ to a particle traversing the window in 20 seconds. Additionally, the silicon detector was used to confirm the attenuation of 222-nm light through a single sheet of plastic film was 65%. The addition of one or two sheets of plastic film between the lamps and the irradiation chamber window yielded average doses of $1.3 \text{ mJ}/\text{cm}^2$ and $0.8 \text{ mJ}/\text{cm}^2$, respectively.

Benchtop aerosol irradiation chamber. A one-pass, dynamic aerosol / virus irradiation chamber was constructed in a similar configuration to that used by Ko *et al.*³³, Lai *et al.*³⁴, and McDevitt *et al.*^{19,35}. A schematic overview of the system is shown in Fig. 3 and is pictured in Fig. 4. Aerosolized viruses were generated by adding a virus solution into a high-output extended aerosol respiratory therapy (HEART) nebulizer (Westmed, Tucson, AZ) and operated using a dual-head pump (Thermo Fisher 420-2901-00FK, Waltham, MA) with an input flow rate of 11 L/min. The aerosolized virus flowed into the irradiation chamber where it was mixed with independently controlled inputs of humidified and dried air. Humidified air was produced by bubbling air through water, while dry air was provided by passing air through a desiccant air dryer (X06-02-00, Wilkerson Corp, Richland, MI). Adjusting the ratio of humid and dry air enabled control of the relative humidity (RH) within the irradiation chamber which, along with the nebulizer settings, determined the aerosol particle size distribution. An optimal RH value of 55% resulted in a distribution of aerosol particle sizes similar to the natural distribution from human coughing and breathing, which has been shown to be distributed around approximately $1 \mu\text{m}$, with a significant tail of particles less than $1 \mu\text{m}$ ³⁶⁻³⁸.

After combining the humidity control inputs with the aerosolized virus, input flow was directed through a series of baffles that promoted droplet drying and mixing to produce an even particle distribution and stable humidity³⁴. The RH and temperature inside the irradiation chamber were monitored using an Omega RH32 meter (Omega Engineering Inc., Stamford, CT) immediately following the baffles. A Hal Technologies HAL-HPC300 particle sizer (Fontana, CA) was adjoined to the irradiation chamber to allow for sampling of particle sizes throughout operation.

During UV exposure, the 222-nm lamps were placed 11 cm from the irradiation chamber window. The lamps were directed at the $26 \text{ cm} \times 25.6 \text{ cm}$ chamber window which was constructed of $254\text{-}\mu\text{m}$ thick UV transparent plastic film (Topas 8007x10, Topas Advanced Polymers, Florence, KY), and which had a transmission of $\sim 65\%$ at 222 nm. The wall of the irradiation chamber opposite the transparent window was constructed with polished aluminum in order to reflect a portion of the UVC light back through the exposure region, therefore increasing the overall exposure dose by having photons pass in both directions. The depth of the irradiation chamber between the window and the aluminum panel was 6.3 cm, creating a total exposure volume of 4.2 L.

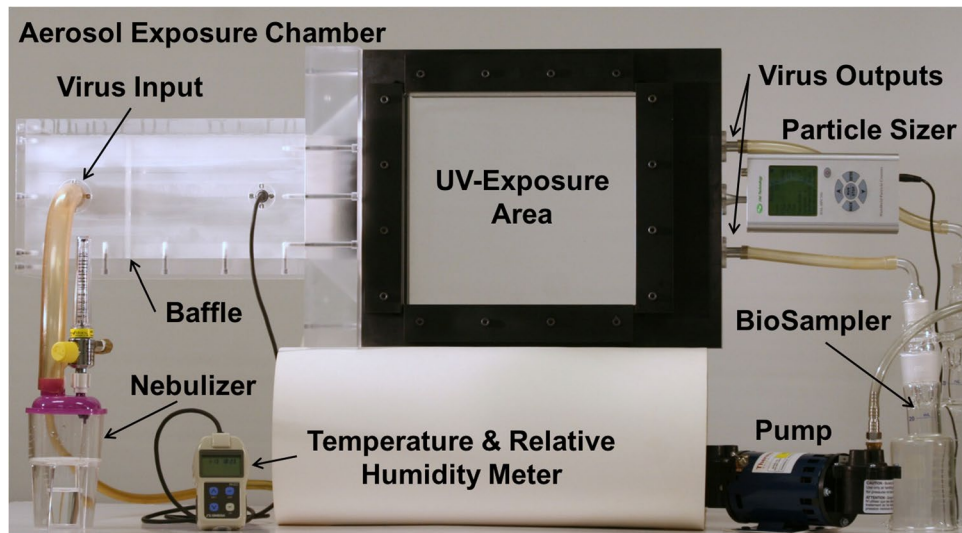


Figure 4. Photograph of the custom UV irradiation chamber. The experimental setup shows many of the necessary components while some elements, such as pumps, filters, and lamps, were omitted to better depict the overall setup.

		Particle Size Distribution		
		<1.0 μm	>1.0 μm	
Papineni 1997 ⁴⁰	Coughing	83–91%	9–16%	
	Mouth Breathing	83–95%	4–16%	
	Nose Breathing	83–100%	0–16%	
	Talking	77–88%	11–22%	
		0.3–0.5 μm	0.5–0.7 μm	>0.7 μm
This work		87%	11%	2%

Table 1. Example particle size distributions from humans during various activities are given along with the measured values for this work.

Flow of the aerosols continues out of the irradiation chamber to a set of three way valves that could be configured to either pass through a bypass channel (used when no sampling was required), or a BioSampler (SKC Inc, Eighty Four, PA) used to collect the virus. The BioSampler uses sonic flow impingement upon a liquid surface to collect aerosols when operated at an air flow of 12.5 L/min. Finally, flow continued out of the system through a final HEPA filter and to a vacuum pump (WP6111560, EMD Millipore, Billerica, MA). The vacuum pump at the end of the system powered flow through the irradiation chamber. The flow rate through the system was governed by the BioSampler. Given the flow rate and the total exposure volume of the irradiation chamber, 4.2L, a single aerosol droplet passed through the exposure volume in approximately 20 seconds.

The entire irradiation chamber was set up inside a certified class II type A2 biosafety cabinet (Labconco, Kansas City, MO). All air inputs and outputs were equipped with HEPA filters (GE Healthcare Bio-Sciences, Pittsburgh, PA) to prevent unwanted contamination from entering the chamber as well as to block any of the virus from releasing into the environment.

Irradiation chamber performance. The custom irradiation chamber simulated the transmission of aerosolized viruses produced via human coughing and breathing. The chamber operated at a relative humidity of 55% which resulted in a particle size distribution of 87% between 0.3 μm and 0.5 μm , 11% between 0.5 μm and 0.7 μm , and 2% > 0.7 μm . A comparison to published ranges of particle size distributions is shown in Table 1. Aerosolized viruses were efficiently transmitted through the system as evidenced from the control (zero exposure) showing clear virus integration (Fig. 1, top left).

Experimental protocol. The virus solution in the nebulizer consisted of 1 ml of Dulbecco's Modified Eagle's Medium (DMEM, Life Technologies, Grand Island, NY) containing 10^8 focus forming units per ml (FFU/ml) of influenza A virus [A/PR/8/34 (H1N1)], 20 ml of deionized water, and 0.05 ml of Hank's Balanced Salt Solution with calcium and magnesium (HBSS⁺⁺). The irradiation chamber was operated with aerosolized virus particles flowing through the chamber and the bypass channel for 15 minutes prior to sampling, in order to establish the desired RH value of ~55%. Sample collection initiated by changing air flow from the bypass channel to the BioSampler using the set of three way valves. The BioSampler was initially filled with 20 ml of HBSS⁺⁺ to capture the aerosol. During each sampling time, which lasted for 30 minutes, the inside of the irradiation chamber was

exposed to 222 nm far-UVC light through the UVC semi-transparent plastic window. Variation of the far-UVC dose delivered to aerosol particles was achieved by inserting additional UVC semi-transparent plastic films, identical to the material used as the chamber window, between the lamps and the chamber window. The extra plastic films uniformly reduced the power entering the chamber. The three test doses of 0.8, 1.3 and 2.0 mJ/cm², were achieved by adding two, one, or no additional plastic films, respectively. Zero-dose control studies were conducted with the excimer lamps turned off. Experiments at each dose were repeated in triplicate. A newly sterilized BioSampler was used for each experimental run to prevent unwanted contamination. Negative controls, where virus was omitted from the nebulizer mixture, were run intermittently and showed no virus collection in the BioSampler. After the sampling period was completed the solution from the BioSampler was used for the virus infectivity assay.

Virus infectivity assay. We measured viral infectivity with a focus forming assay that employs standard fluorescent immunostaining techniques to detect infected host cells and infectious virus particles³⁹. Briefly, after running through the irradiation chamber for 30 minutes, 0.5 ml of virus suspension collected from the BioSampler was overlaid on a monolayer of Madin-Darby Canine Kidney (MDCK) epithelial cells routinely grown in DMEM supplemented with 10% Fetal Bovine Serum (FBS), 2 mM L-alanyl-L-glutamine, 100 U/ml penicillin and 100 µg/ml streptomycin (Sigma-Aldrich Corp. St. Louis, MO, USA). Cells were incubated with the virus for 45 minutes, washed three times with HBSS⁺⁺ and incubated overnight in DMEM. Infected cells were then fixed in 100% ice cold methanol at 4 °C for 5 minutes and labeled with influenza A virus nucleoprotein antibody [C43] (Abcam ab128193, Cambridge, MA) 1:200 in HBSS⁺⁺ containing 1% bovine serum albumin (BSA; Sigma-Aldrich Corp. St. Louis, MO, USA) at room temperature for 30 minutes with gentle shaking. Cells were washed three times in HBSS⁺⁺ and labeled with goat anti-mouse Alexa Fluor-488 (Life Technologies, Grand Island, NY) 1:800 in HBSS⁺⁺ containing 1% BSA at room temperature for 30 minutes with gentle shaking. Following three washes in HBSS⁺⁺, the cells were stained with Vectashield containing DAPI (4',6-diamidino-2-phenylindole) (Victor Laboratories, Burlingame, CA) and observed with the 10× and 40× objectives of an Olympus IX70 fluorescent microscope equipped with a Photometrics PVCAM high-resolution, high-efficiency digital camera. For each sample, at least three fields of view of merged DAPI and Alexa-488 images were acquired. Image-Pro Plus 6.0 software (Media Cybernetics, Bethesda, MD) was used to analyze the 10× images to measure the FFU_{UV} as the ratio of cells infected with the virus divided by the total number of cells.

Data analysis. The surviving fraction (*S*) of the virus was calculated by dividing the fraction of cells that yielded positive virus growth at each UV dose (FFU_{UV}) by the fraction at zero dose (FFU_{controls}): $S = \text{FFU}_{\text{UV}} / \text{FFU}_{\text{controls}}$. Survival values were calculated for each repeat experiment and natural log (ln) transformed to bring the error distribution closer to normal⁴⁰. Linear regression was performed using these normalized ln[*S*] values as the dependent variable and UV dose (*D*, mJ/cm²) as the independent variable. Using this approach, the virus survival (*S*) was fitted to first-order kinetics according to the equation⁷:

$$\ln[S] = -k \times D, \quad (1)$$

where *k* is the UV inactivation rate constant or susceptibility factor (cm²/mJ). The regression was performed with the intercept term set to zero, which represents the definition of 100% relative survival at zero UV dose. Bootstrap 95% confidence intervals for the parameter *k* were calculated using R 3.2.3 software⁴¹. The virus inactivation cross section, *D*₉₅, which is the UV dose that inactivates 95% of the exposed virus, was calculated as $D_{95} = -\ln[1 - 0.95]/k$.

References

1. Global, regional, and national life expectancy, all-cause mortality, and cause-specific mortality for 249 causes of death, 1980–2015: a systematic analysis for the Global Burden of Disease Study 2015. *Lancet* **388**, 1459–1544 (2016).
2. Paules, C. & Subbarao, K. Influenza. *Lancet* **390**, 697–708 (2017).
3. Cowling, B. J. *et al.* Aerosol transmission is an important mode of influenza A virus spread. *Nat Commun* **4**, 1935 (2013).
4. Yu, I. T. *et al.* Evidence of airborne transmission of the severe acute respiratory syndrome virus. *N Engl J Med* **350**, 1731–1739 (2004).
5. Pai, M. *et al.* Tuberculosis. *Nat Rev Dis Primers* **2**, 16076 (2016).
6. Hollaender, A., du Buy, H. G., Ingraham, H. S. & Wheeler, S. M. Control of air-borne microorganisms by ultraviolet floor irradiation. *Science* **99**, 130–131 (1944).
7. Kowalski, W. J. *Ultraviolet Germicidal Irradiation Handbook: UVGI for Air and Surface Disinfection*, (New York: Springer).
8. Wells, W. F. & Fair, G. M. Viability of B. Coli Exposed to Ultra-Violet Radiation in Air. *Science* **82**, 280–281 (1935).
9. Conner-Kerr, T. A., Sullivan, P. K., Gaillard, J., Franklin, M. E. & Jones, R. M. The effects of ultraviolet radiation on antibiotic-resistant bacteria *in vitro*. *Ostomy Wound Manage* **44**, 50–56 (1998).
10. Budowsky, E. I., Bresler, S. E., Friedman, E. A. & Zheleznova, N. V. Principles of selective inactivation of viral genome. I. UV-induced inactivation of influenza virus. *Arch Virol* **68**, 239–247 (1981).
11. Setlow, R. B., Grist, E., Thompson, K. & Woodhead, A. D. Wavelengths effective in induction of malignant melanoma. *Proc Natl Acad Sci USA* **90**, 6666–6670 (1993).
12. Balasubramanian, D. Ultraviolet radiation and cataract. *J Ocul Pharmacol Ther* **16**, 285–297 (2000).
13. Buonanno, M. *et al.* 207-nm UV light - a promising tool for safe low-cost reduction of surgical site infections. I: *in vitro* studies. *PLoS One* **8**, e76968 (2013).
14. Buonanno, M. *et al.* 207-nm UV Light-A Promising Tool for Safe Low-Cost Reduction of Surgical Site Infections. II: *In-Vivo* Safety Studies. *PLoS One* **11**, e0138418 (2016).
15. Buonanno, M. *et al.* Germicidal Efficacy and Mammalian Skin Safety of 222-nm UV Light. *Radiat. Res.* **187**, 483–491 (2017).
16. Matafonova, G. G., Batoev, V. B., Astakhova, S. A., Gómez, M. & Christofi, N. Efficiency of KrCl excilamp (222 nm) for inactivation of bacteria in suspension. *Lett. Appl. Microbiol.* **47**, 508–513 (2008).
17. Sosnin, E. A., Avdeev, S. M., Kuznetsova, E. A. & Lavrenteva, L. V. A Bactericidal Barrier-Discharge KrBr Excilamp. *Instruments and Experimental Techniques* **48**, 663–666 (2005).
18. Wang, D., Oppenländer, T., El-Din, M. G. & Bolton, J. R. Comparison of the Disinfection Effects of Vacuum-UV (VUV) and UV Light on Bacillus subtilis Spores in Aqueous Suspensions at 172, 222 and 254 nm. *Photochem and Photobiol* **86**, 176–181 (2010).

19. McDevitt, J. J., Rudnick, S. N. & Radonovich, L. J. Aerosol Susceptibility of Influenza Virus to UV-C Light. *Appl. Environ. Microbiol.* **78**, 1666–1669 (2012).
20. Beck, S. E., Hull, N. M., Poepping, C. & Linden, K. G. Wavelength-Dependent Damage to Adenoviral Proteins Across the Germicidal UV Spectrum. *Environ. Sci. Technol.* (2017).
21. Beck, S. E. *et al.* Comparison of UV-Induced Inactivation and RNA Damage in MS2 Phage across the Germicidal UV Spectrum. *Appl. Environ. Microbiol.* **82**, 1468–1474 (2016).
22. Reed, N. G. The history of ultraviolet germicidal irradiation for air disinfection. *Public Health Rep* **125**, 15–27 (2010).
23. Nardell, E., Vincent, R. & Sliney, D. H. Upper-room ultraviolet germicidal irradiation (UVGI) for air disinfection: a symposium in print. *Photochem Photobiol* **89**, 764–769 (2013).
24. Rudnick, S. N. *et al.* Spatial distribution of fluence rate from upper-room ultraviolet germicidal irradiation: Experimental validation of a computer-aided design tool. *HVAC&R Research* **18**, 774–794 (2012).
25. Rahmani, B., Bhosle, S. & Zissis, G. Dielectric-Barrier-Discharge Excilamp in Mixtures of Krypton and Molecular Chlorine. *IEEE Trans Plasma Sci* **37**, 546–550 (2009).
26. Sosnin, E. A., Avdeev, S. M., Tarasenko, V. F., Skakun, V. S. & Schitz, D. V. KrCl barrier-discharge excilamps: Energy characteristics and applications. *Instrum Exp Tech* **58**, 309–318 (2015).
27. Kekez, M. M. & Sattar, S. A. A new ozone-based method for virus inactivation: preliminary study. *Phys. Med. Biol.* **42**, 2027 (1997).
28. Welch, D., Randers-Pehrson, G., Spotnitz, H. M. & Brenner, D. J. Unlaminated Gafchromic EBT3 Film for Ultraviolet Radiation Monitoring. *Radiat. Prot. Dosim.* **176**, 341–346 (2017).
29. Welch, D., Spotnitz, H. M. & Brenner, D. J. Measurement of UV Emission from a Diffusing Optical Fiber Using Radiochromic Film. *Photochem and Photobiol* **93**, 1509–1512 (2017).
30. Drobny, J. G. Dosimetry and Radiometry. In *Radiation Technology for Polymers, Second Edition* 215–231 (CRC Press, 2010).
31. Krins, A., Bolsée, D., Dörschel, B., Gillotay, D. & Knuschke, P. Angular Dependence of the Efficiency of the UV Sensor Polysulphone Film. *Radiat. Prot. Dosim.* **87**, 261–266 (2000).
32. Mendez, I., Peterlin, P., Hudej, R., Strojnik, A. & Casar, B. On multichannel film dosimetry with channel-independent perturbations. *Med Phys* **41**, 011705 (2014).
33. Ko, G., First, M. W. & Burge, H. A. Influence of relative humidity on particle size and UV sensitivity of *Serratia marcescens* and *Mycobacterium bovis* BCG aerosols. *Tubercle and Lung Disease* **80**, 217–228 (2000).
34. Lai, K. M., Burge, H. A. & First, M. W. Size and UV Germicidal Irradiation Susceptibility of *Serratia marcescens* when Aerosolized from Different Suspending Media. *Appl. Environ. Microbiol.* **70**, 2021–2027 (2004).
35. McDevitt, J. J. *et al.* Characterization of UVC Light Sensitivity of Vaccinia Virus. *Appl. Environ. Microbiol.* **73**, 5760–5766 (2007).
36. Chao, C. Y. H. *et al.* Characterization of expiration air jets and droplet size distributions immediately at the mouth opening. *J. Aerosol Sci* **40**, 122–133 (2009).
37. Papineni, R. S. & Rosenthal, F. S. The Size Distribution of Droplets in the Exhaled Breath of Healthy Human Subjects. *J. Aerosol Med* **10**, 105–116 (1997).
38. Morawska, L. *et al.* Size distribution and sites of origin of droplets expelled from the human respiratory tract during expiratory activities. *J. Aerosol Sci* **40**, 256–269 (2009).
39. Flint, S. J., Racaniello, V. R., Enquist, L. W. & Skalka, A. M. *Principles of virology, Volume 2: pathogenesis and control*, (ASM press, 2009).
40. Keene, O. N. The log transformation is special. *Stat Med* **14**, 811–819 (1995).
41. Ihaka, R. & Gentleman, R. R. A language for data analysis and graphics. *J. Comp. Graph. Stat.* **5**, 299–314 (1996).

Acknowledgements

This work was supported by the Shostack Foundation and also NIH grant 1R41AI125006–01. We thank Dr. Rea Dabelic from the Department of Environmental Health Sciences, Mailman School of Public Health at Columbia University for her expertise and training with viral cell culture.

Author Contributions

D.W., M.B. and V.G. designed and performed experiments, analyzed the data, and wrote the manuscript; I.S. analyzed the data; C.C. and A.W.B. designed the irradiation chamber; G.W.J. constructed the irradiation chamber; D.J.B. and G.R.-P. supervised, contributed conceptual advice, and wrote the manuscript. All authors discussed the results and commented on the manuscript.

Additional Information

Competing Interests: The authors declare no competing interests.

Publisher's note: Springer Nature remains neutral with regard to jurisdictional claims in published maps and institutional affiliations.



Open Access This article is licensed under a Creative Commons Attribution 4.0 International License, which permits use, sharing, adaptation, distribution and reproduction in any medium or format, as long as you give appropriate credit to the original author(s) and the source, provide a link to the Creative Commons license, and indicate if changes were made. The images or other third party material in this article are included in the article's Creative Commons license, unless indicated otherwise in a credit line to the material. If material is not included in the article's Creative Commons license and your intended use is not permitted by statutory regulation or exceeds the permitted use, you will need to obtain permission directly from the copyright holder. To view a copy of this license, visit <http://creativecommons.org/licenses/by/4.0/>.

© The Author(s) 2018